


## Inverter matching list

**We Felicity hereby authorize**

**Low voltage battery packs are compatible with the following brands of inverters**

CAN/RS485 Matched Hybrid Inverter Brands			
Brand	Model	Communication protocol	Cable Supply
<p>Felicitysolar/ FelicityESS</p>	<p>IVEM series IVGM5048/T-REX-5KLP1G01 IVGM10048/T-REX-10KLP3G01 IVPS/IVPM/IVPA series</p>	<p>RS485</p>	<p>RJ45</p>
<p>Deye</p>	<p>SUN- 3 / 3.6 / 5 / 6 K-SG04LP1- EU. SUN- 3.6 / 5 / 6 K-SG03LP1-EU. SUN- 3.6 / 5 / 6 / 7.6 / 8 K SG05LP1-EU. SUN- 5 / 6 K-SG01LP1-US. SUN- 7.6 / 8 K-SG01LP1-US/EU. SUN- 5 / 6 / 8 / 10 / 12 K SG04LP3-EU. SUN-12 / 14 / 16 K-SG01LP1-EU.</p>	<p>RS485/CAN</p>	<p>RJ45</p>
<p>Luxpower</p>	<p>LXP 3.6K/4.6K/5K Hybrid LXP 3600 ACS series. LXP-LB-EU 6-8K LXP-LB-EU 8-10K LXP-LB-EU 12K</p>	<p>CAN</p>	<p>RJ45</p>
<p>Growatt</p>	<p>SPF 3500 -5000 ES SPF 6000 ES Plus</p>	<p>RS485/CAN</p>	<p>RJ45</p>
<p>Voltronic</p>	<p>Infini Solar V IV TWIN 6/6.5/ 8kw Axpert VM III Axpert VM IV Axpert MKS III Axpert MKS IV Axpert MAX Axpert MAX II</p>	<p>RS485</p>	<p>RJ45</p>

Sunsynk	SUNSYNK-3.6/5/8K-SG01LP1 SYNK-8/10/12K-SG04LP3 SUNSYNK MAX	RS485	RJ45
Megarevo	R(5-8)KLNA R(6-15)KH3 R(3-6)KL1	CAN/RS485	RJ45
Victron	To ensure successful communication, please use this Cerbo GX box to communicate with our battery. 	CAN	RJ45
SRNE	HF4830S60-H/HF4850S80-H HF4835U60-H/HF4850U80-H HF4850S80 -145 HF4830U60 -145/HF4835U80 -145 HES48(80-120)S200-H HES48(80-120)U200-H HES48(40-60)S200-H	RS485	RJ45
Solis	S6-EH1P(3-6)K-L-EU S6-EH1P8K-L-PRO S5-EH1P(3-6)K-L	CAN	RJ45
MPPsolar	PIP-MT series U-GK/U-MS series PIP-MKX series PIP-MAX series PIP-MGX series PIP-MK series PIP-GK series	RS485	RJ45

Afore	AF(1-3.6)K-SL AF(3-6)K-SL	CAN	RJ45
SOFAR	HYD 3000-6000-EP	CAN	RJ45
CHISAGE ESS	MARS-5-14G2-LE MARS-5-14G1-LE JUP-5-10G2-LE	CAN	RJ45

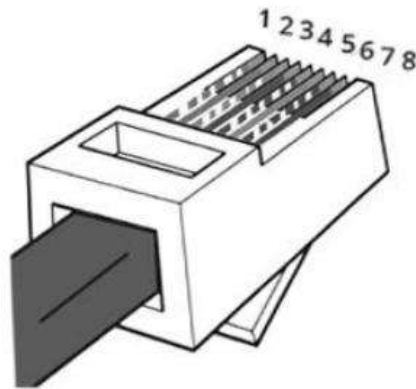
**Note:** Our battery is using **PYLON protocol**, in theory, our battery can communicate with inverters that support the PYLON protocol. For additional support, please contact our customer service staff.

Whatsapp: +86 18022876286

E-mail: [angie@felicitysolar.com](mailto:angie@felicitysolar.com);

[ouyinyan@felicitysolar.com](mailto:ouyinyan@felicitysolar.com);

The corresponding communication pins are defined in the following table. You can make communication cables according to this table.



### (1)RS485 Protocol pins defined.

	NO.	Felicitysolar	Deye	LuxPower	Growatt	Voltronic	MegaRevo	SRNE	Mppsolar
RS485	Pin1	GND	RS485B	RS485B	RS485B	x	x	x	x
	Pin2	x	RS485A	RS485A	RS485A	x	x	GND	x
	Pin3	x	GND	x	x	RS485B	x	x	x
	Pin4	x	x	x	x	x	x	x	RS485-A
	Pin5	RS485B	x	x	x	RS485A	x	x	RS485-B
	Pin6	RS485A	GND	x	x	x	x	x	x
	Pin7	x	x	x	x	x	RS485A	RS485A	x
	Pin8	x	x	GND	x	GND	RS485B	RS485B	GND

### (2)CAN Protocol pins defined.

	NO.	Felicitysolar	Victron	Solis	Deye	MegaRevo	Growatt	Afore	SOFAR	Goodwe
CAN	Pin1	x	x	x	x	x	x	x	CAN_H	x
	Pin2	x	x	x	x	x	x	x	CAN_L	x
	Pin3	CAN_L	x	x	x	x	x	x	x	x
	Pin4	CAN_H	x	CAN_H	CAN_H	CAN_H	CAN_H	CAN_H	x	CAN_H
	Pin5	x	x	CAN_L	CAN_L	CAN_L	CAN_L	CAN_L	x	CAN_L
	Pin6	x	x	x	x	x	x	x	x	x
	Pin7	CAN_L ( Just for EC and LPBA48100-OL )	CAN_H	x	x	x	x	x	x	x
	Pin8	CAN_H ( Just for EC and LPBA48100-OL )	CAN_L	x	x	x	x	x	x	x

(3)For example, if you want to let our LPBA48100-OL battery to communicate with Victron inverter directly, you need to make a communication cable like the one below.

	NO.	Felicitysolar	Victron
CAN	Pin1	×	×
	Pin2	×	×
	Pin3	×	×
	Pin4	×	×
	Pin5	×	×
	Pin6	×	×
	Pin7	CAN_L	CAN_H
	Pin8	CAN_H	CAN_L

